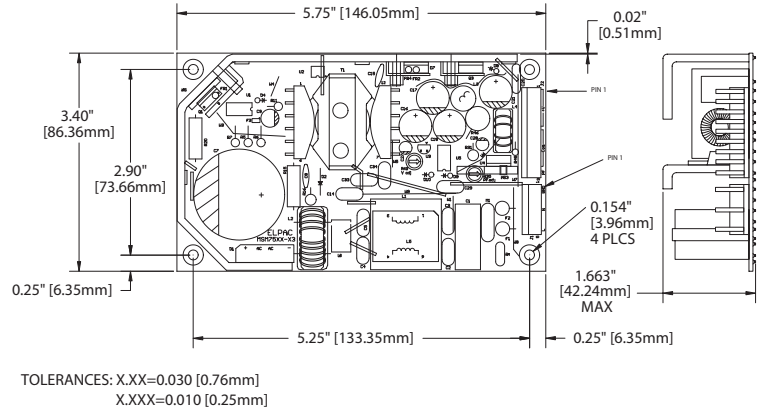


# MSM75 series

# 75 Watt Medical Grade Power Supply



### Features

- Wide range AC input
- Fully regulated output
- High efficiency
- Medical grade approval
- Dimensions meet 1U applications
- 5 year warranty

### EMI/EMC

- Meets FCC class B, CISPR 11 class B
- EMC per EN60601-1-2
- Complies with EN61000-3-2 class A

### Safety

- UR/cUR UL2601-1
- CE Marked EN60601-1-2:2001

Polarity	1	2	3	4	5	6	7	8	9
Input P1	Gnd	-	Neut.	-	Line	-	-	-	-
Output P2	+V	+V	+V	+V	Com	Com	Com	Com	Pwr Fail

### Input and Output Connections

- Input connector = AMP p/n 643495-2
- Input mating connector = AMP p/n 640250-5 or equivalent
- Input mating connector contacts = AMP p/n 770476-1 or equivalent
- Output connector = AMP p/n 640445-9
- Output mating connector = AMP p/n 640250-9 or equivalent
- Output mating connector contacts = AMP p/n 770476-1 or equivalent

### Electrical Specifications

#### Input

- Voltage.....90-264 VAC
- Current.....1.5 Amp @ 100 VAC
- Frequency.....47 - 63 Hz
- Earth leakage current.....70 uA, 264 V @ 50 Hz (normal condition)

#### Output

- Line regulation.....TYP +/- 1%
- Load regulation.....TYP +/- 3%
- Hold up time.....15 ms min at full load, 115 VAC
- Transient response.....2 ms for 50% to 100% load change
- Over voltage protection.....Built-in
- Over current protection.....Built-in
- Short circuit protection.....Pulsing mode, auto recovery
- Efficiency.....80% min at full load and 115 VAC
- Ripple/noise (V<sub>p-p</sub>).....1% (20 MHz bandwidth)

### Environmental

- Operating temperature.....0° C to 50° C
- Storage temperature.....-55° C to 85° C
- Weight = 0.50 lbs

Model No.	Voltage	Power	Current
MSM7512	12V	75W	6.3A
MSM7515	15V	75W	5A
MSM7524	24V	75W	3.1A
MSM7528	28V	75W	2.7A